

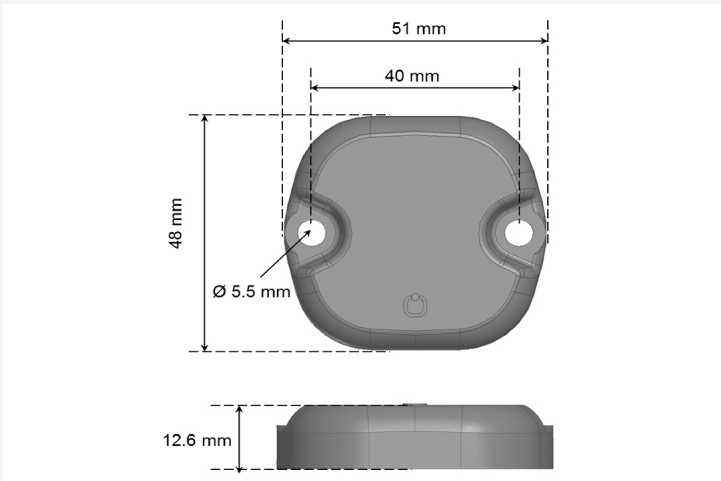
[Products] you can identify with



Physical Specifications

Material	ABS
Size	51 x 48 x 12.6 (+/- 1.0) mm 2.01 x 1.9 x 0.50 (+/- 0.04) in
Weight (g)	25.6
Attachment	Mechanical (std), premium foam (option)

Dimensions



Measurements shown in mm

Exo 750

Omni-ID Exo 750 is a long range durable RFID tag optimized for attachment to metal assets. Designed with a broad read angle and with a global RF response, Exo 750 is compatible with handheld and portal use cases, anywhere on the globe. Featuring premium materials, Omni-ID Exo 750 offers market leading consistency and reliability in outdoor and industrial applications.

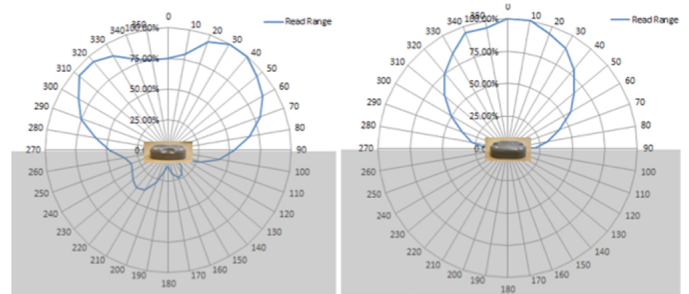
RF Specification

Radio Protocol	EPC Class 1 Gen2v2
Frequency Range	860 - 930 (GS)
Read Range - Fixed Reader	Up to 7m (EU), Up to 11m (US)
Read Range - Handheld Reader	Up to 3.5m (EU), Up to 5m (US)
On Metal or Balanced	Optimized for metal
Material Compatibility	Metal
IC Type (Chip)	Impinj Monza 4QT
Memory	EPC - 128 bits User - 512 bits Unique TID - 48 bits

EPC and User memory are reprogrammable. UTID is locked at point of manufacture by IC manufacturer.

Radiation Patterns

On Metal



[Products] you can identify with



Based on a rugged construction, square footprint and moderate durability, the Exo 750 is ideally suited to RTI applications in:

- * Automotive supply chain.
- * Logistics and Postal.
- * Manufacturing tote tracking.

Environmental Specifications

Operating Temperature	-40°C to +85°C
Survivability	-40°C to +85°C
IP Rating	IP68
Shock & Vibration Tolerance	MIL-STD-810 G

Certifications

CE, RoHS, Ex, ATEX/IECEX certified (option), US&Canada (C1D1/D2) certified (option)



Ordering Information

Warranty	3 years
Product Options	:303 (Customization) :304 (ATEX/IECEX certified) :307 (US&Canada (C1D1/D2) certified) :508 (Premium foam) :701 (Standard Service Bureau)
Part Number / Order Codes / Order Numbers	078 - GS

For product or technology inquiries email: sales@omni-id.com.

Visit omni-id.com to learn more about the complete line of **Omni-ID RFID** products